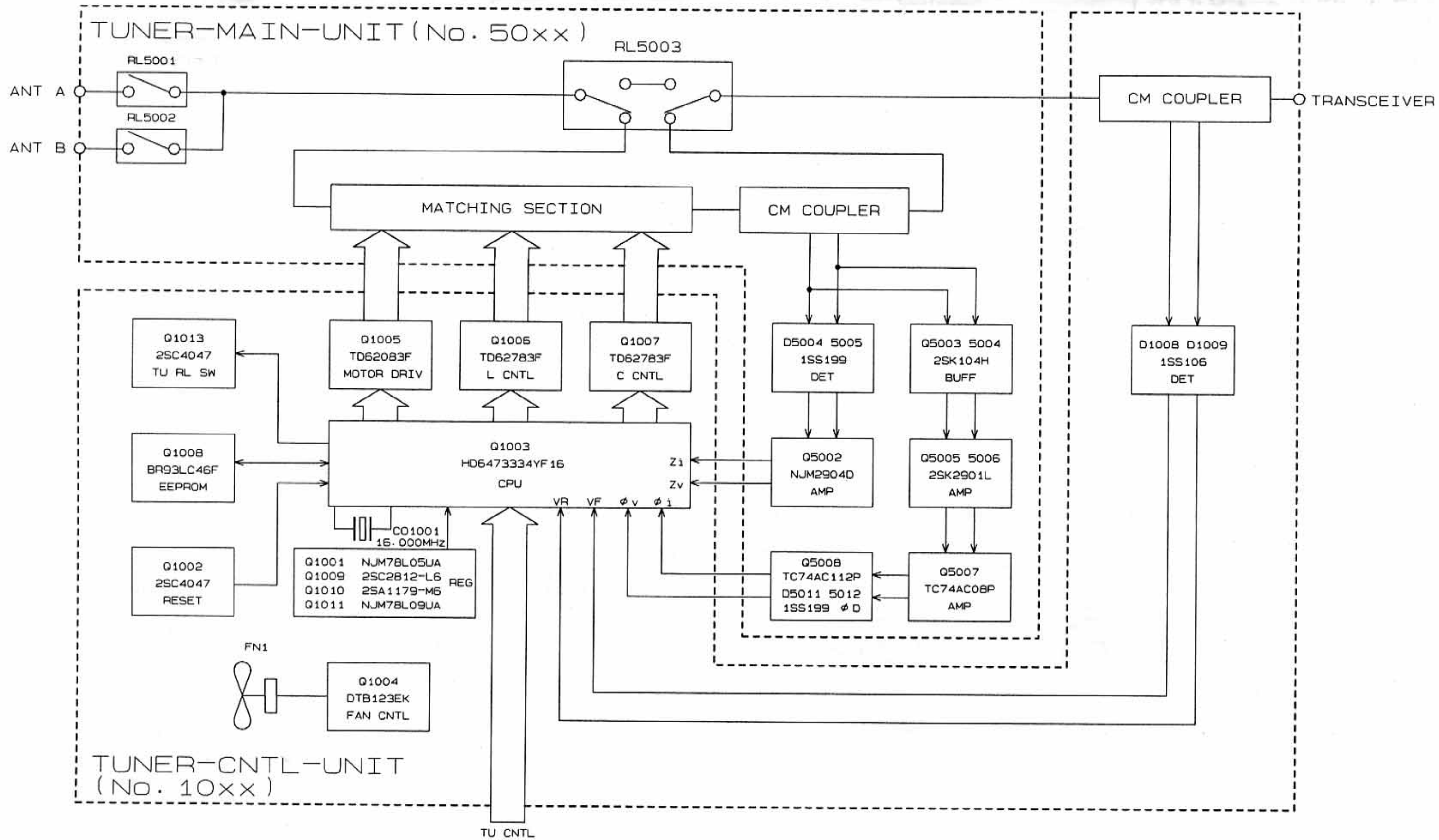
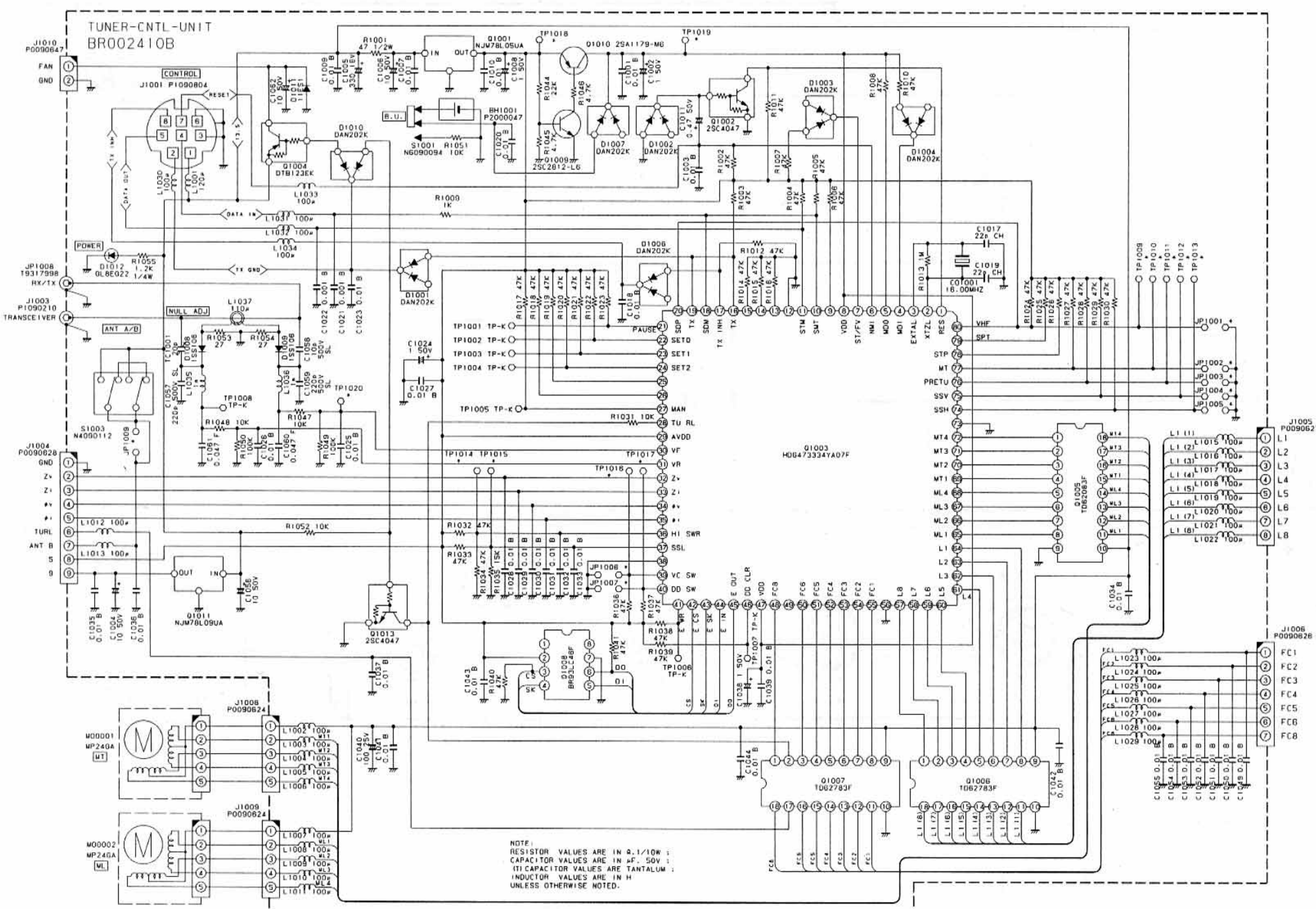
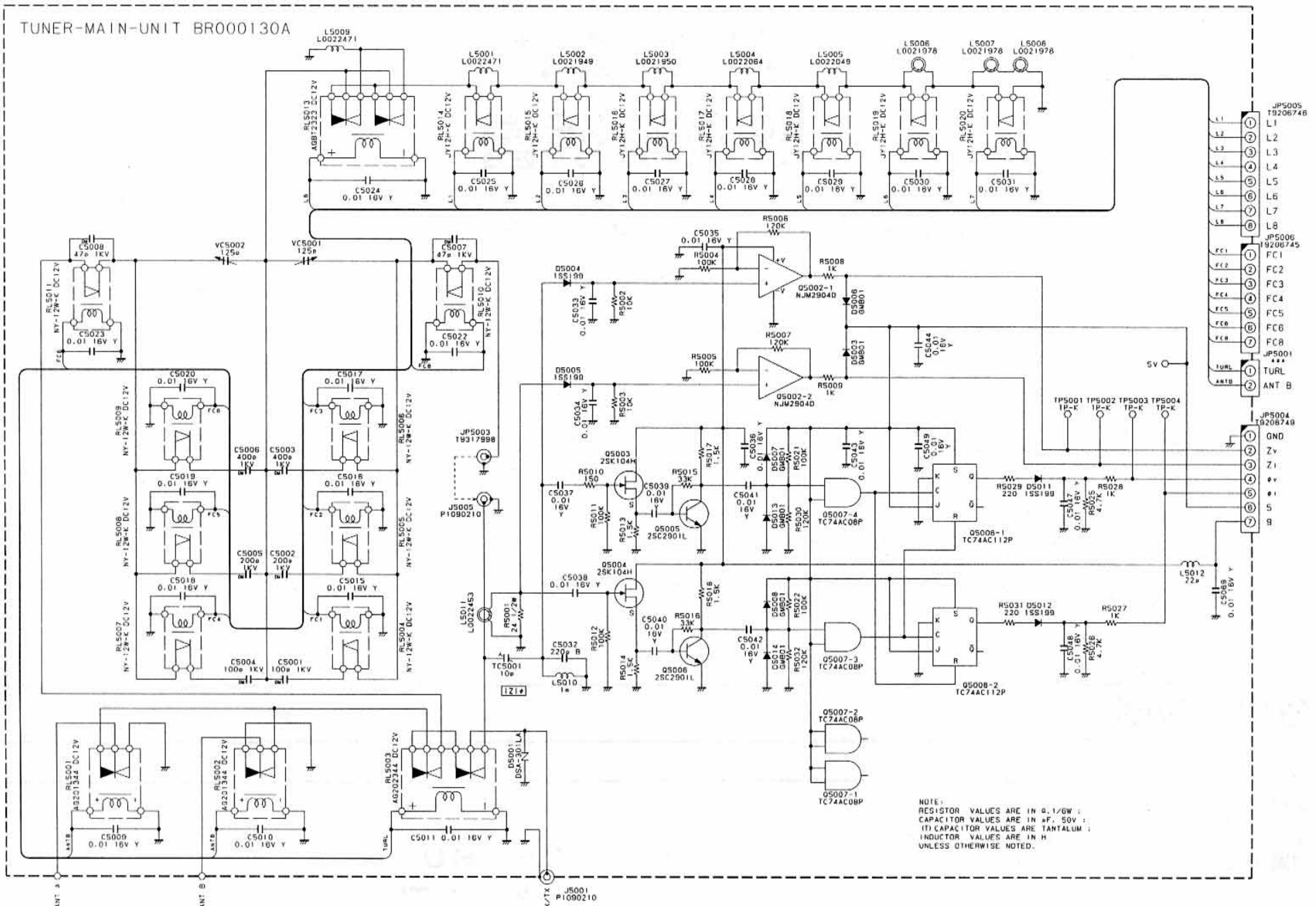


BLOCK DIAGRAM



CIRCUIT DIAGRAM



CONNECTION DIAGRAM

